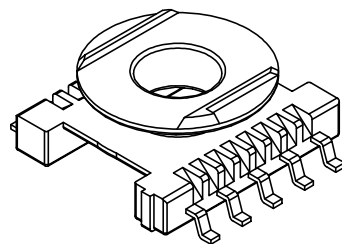


DRAWING NO.	MATERIAL:	ORIGIN:
S-1400-1	PM9630	SZ




B-010.101L(B-010)

B-010.101P(B-010)

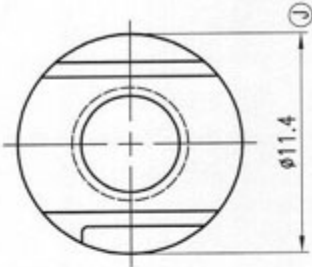
REV.	REVISIONS	REC.	REV.	REVISIONS	REC.
1	PIN TENSION LOAD 1.0KG->1.5KG; UPDATE DEAWING				

DRAWN & DRAFTED BY WANG CHENG	TOLERANCES		ANGLE:	TITLE:	
	0<L≤4 ±0.1	COPLANARITY 0.1 MAX	±1°	SMD BOBBIN ER-14.5/6	
CHECKED & APPROVED BY JOHN RONG	4<L≤16 ±0.2		UNIT:	BOBBIN MATERIAL:	UL REC.
	16<L≤63 ±0.3	MM	LCP E4008	UL 94V-0	
PIN SHINE INDUSTRIAL CO., LTD. TEL:886-2-22990545 FAX:886-2-22990546		ORIGIN:	PIN MATERIAL:	PIN TENSION LOAD:	
		DG SZ	PHOSPHOR BRONZE	1.5KG MIN	
			DATE:	DRAWING NO.	REV.
			APR.04 '2003	S-1400	1

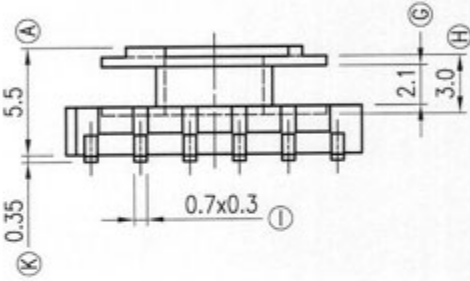


盈勤

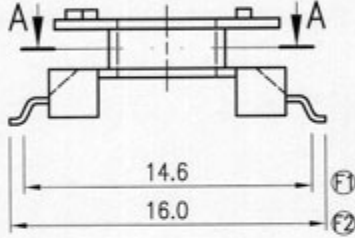
Part No. **YC-1404S**



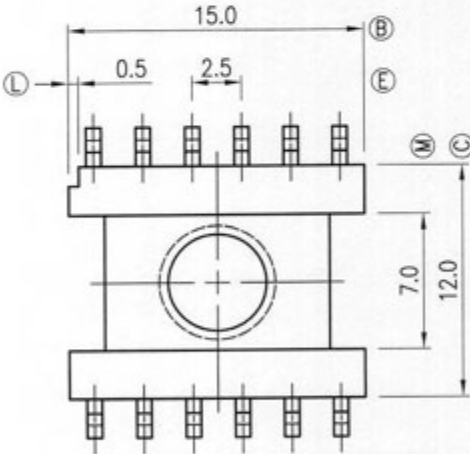
①
φ11.4



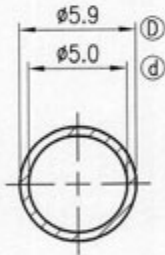
①
②
③
④
⑤
⑥
⑦
⑧
⑨
⑩
⑪
⑫



①
②



①
②
③
④
⑤
⑥
⑦
⑧
⑨
⑩
⑪
⑫



①
②

A-A Section

Date	Revised Record	Model	ER14.5 SMD 12PINs
02.01.01	A/0	Bobbin Material: PHENOLIC UL-94V-0	
		Pin Material: CP Wire	
		Scale: 3 : 1	Tolerance: .xxx ± 0.08
		Unit: mm	.xx ± 0.1
			.x ± 0.2
		File No: YC-F-387	Date: 2002.01.01

(台北) Tel: 886-2-29902896 Fax: 886-2-29906154

(昆山) Tel: 86-520-7794588 Fax: 86-520-7794788

(东莞) Tel: 86-769-5549610 Fax: 86-769-5549617